



RF remote
Option

≥4000Lm

CRI≥85

PF≥0.95

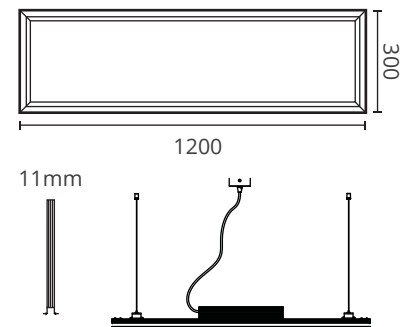
110° Beam
Angle

30x120cm



Features

- Original Nichia LED as lighting sources, maintains light intensity with less than 10% decrease over 30000 hours
- CE, RoHS and FCC certificated
- UL external constant-current driver
- Imported light diffusion material, mercury and lead free
- High lumen output, high efficiency, energy saving up to 80%
- Excellent heat dissipation structure, long lifespan, normal use can reach over 50000 hours
- Lead free, eco-friendly, conform to the requirements of RoHS.



Specification

Model	Everest PN-42	Power Factor	≥0.95
Rated Power	42W	Dimmable	RF Remote (option)
LED Chip	Nichia	Dimension	300x1200X11mm
Lighting Efficiency	≥95Lm/W	Material	Aluminum & PC cover
Luminous Flux	≥4000Lm	Weight	~5000g
Color Temp.	<input type="checkbox"/> Warm white (3000±300K) <input type="checkbox"/> Natural white (4000±400K) <input type="checkbox"/> Cool white (6000±500K)	Operating Temp.	-20°C to 50°C
CRI	≥85	Operating Humi.	10% to 90%
Beam Angle	110°	Certificate	CE, RoHS, FCC, TISI
Input Voltage	AC85-265V	Life span	≥50000Hrs.
Frequency	50/60Hz	Warranty	3 Years*

Remark: The information contained in this document is subject to change without notice. *12Hrs/Day

NEX Office

Singapore

50 Raffles Place, #37-00 Singapore Land
Tower 048623 Singapore
Tel.: (+65) 6829 7014 Fax.: (+65) 6829 707

Email: info@nexledtec.com www.nexledtec.com

Taiwan

4F, No.105 Zhongcheng Rd., Tucheng Distric,
New Taipei City 23674 Taiwan
Tel.: 886-2-22697815 Fax.: 886-2-22697807

Thailand

Q House Lumpini, 1 South Sathorn Rd., 27F,
Tungmahamek, Sathorn, Bangkok 10120 Thailand
Tel.&Fax.: +662 938 3672